

Training seminar



MANAGEMENT OF INTELLECTUAL PROPERTY RIGHTS

***Bulgarian Academy of Sciences
Sofia, Sept.28, 2011***

***PART 6
EUROPEAN PATENT SYSTEM***

ARTEMIS SAITAKIS

DIRECTOR, SCIENCE & TECHNOLOGY PARK OF CRETE, FORTH, GREECE

EUROPEAN PATENT ORGANIZATION (EPO)



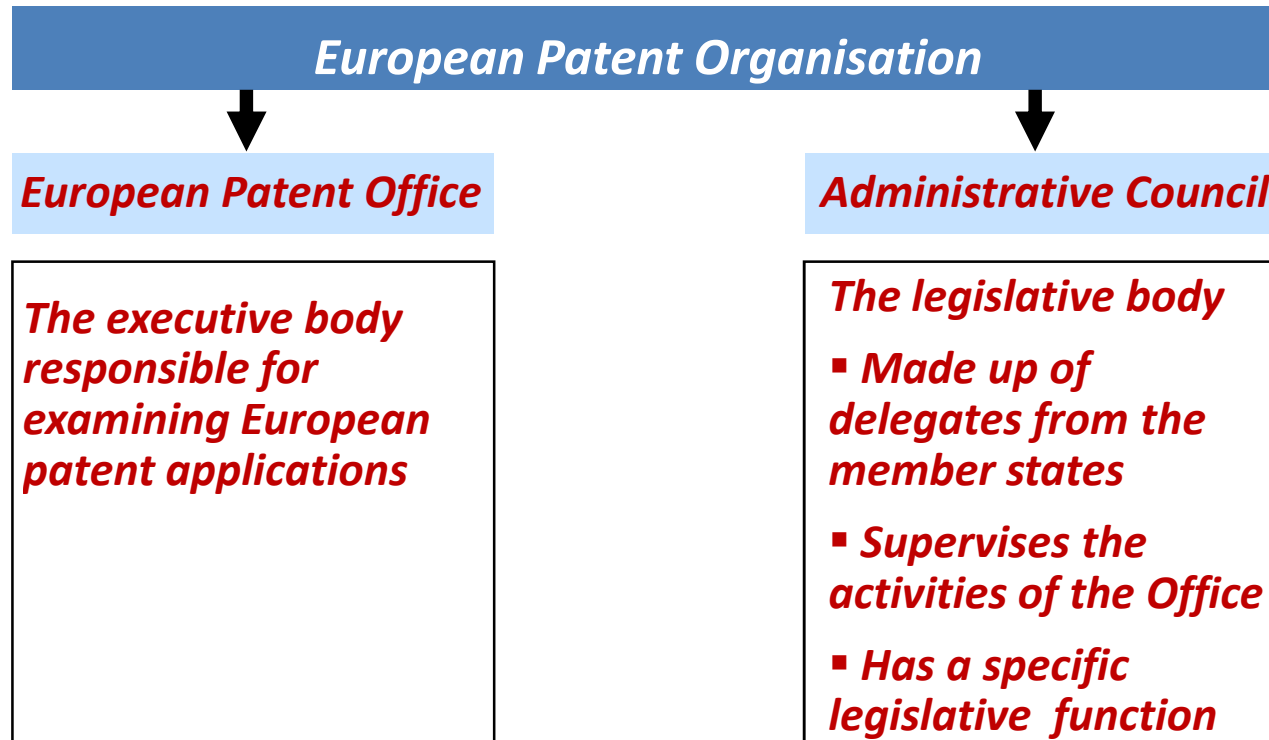
The European Patent Organisation is an intergovernmental organisation that was set up on 7 October 1977 on the basis of the European Patent Convention (EPC) signed in Munich in 1973.

It has two bodies, the European Patent Office and the Administrative Council, which supervises the Office's activities.

www.epo.org

STRUCTURE OF THE EUROPEAN PATENT ORGANIZATION

www.epo.org



Offices in: The Hague, Brussels, Berlin, Vienna, Munich
Headquarters: Munich

EUROPEAN PATENT OFFICE

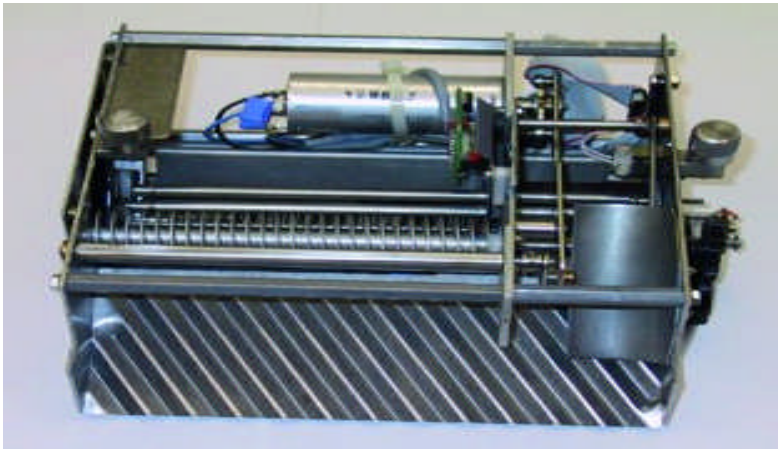


The European Patent Office (EPO) offers inventors a uniform application procedure which enables them to seek patent protection in up to 40 European countries.

Supervised by the Administrative Council, the Office is the executive arm of the European Patent Organisation

THE FIRST EUROPEAN PATENT

1980



The first European patent is granted to German systems manufacturer Scheidt & Bachmann. The invention relates to a device for the temporary storage of coins for use in ticket machines.

FILING OF EUROPEAN PATENT APPLICATION

- ***In English, French, German or any language with later translation***
- ***By reference to an earlier application***
- ***In any patent office of a contracting state***
- ***At the Munich, The Hague, or Berlin EPO sites, however not in Vienna***
- ***Receiving Section (Article 16 EPC) examines deficiencies***
- ***Representation may be necessary (Article 133 EPC)***
- ***Priority of all WTO countries can be claimed.***

EXEMPTIONS OF PATENTABILITY AT EPO

European patents shall not be granted in respect of:

(a) inventions the commercial exploitation of which would be contrary to "ordre public" or morality; such exploitation shall not be deemed to be so contrary merely because it is prohibited by law or regulation in some or all of the Contracting States;



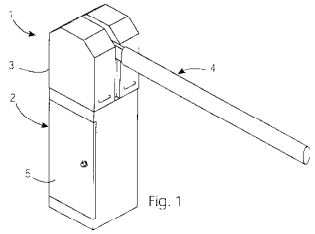
(b) plant or animal varieties or essentially biological processes for the production of plants or animals; this provision shall not apply to microbiological processes or the products thereof;

(c) methods for treatment of the human or animal body by surgery or therapy and diagnostic methods practised on the human or animal body; this provision shall not apply to products, in particular substances or compositions, for use in any of these methods.

CONTENTS OF A EUROPEAN PATENT APPLICATION

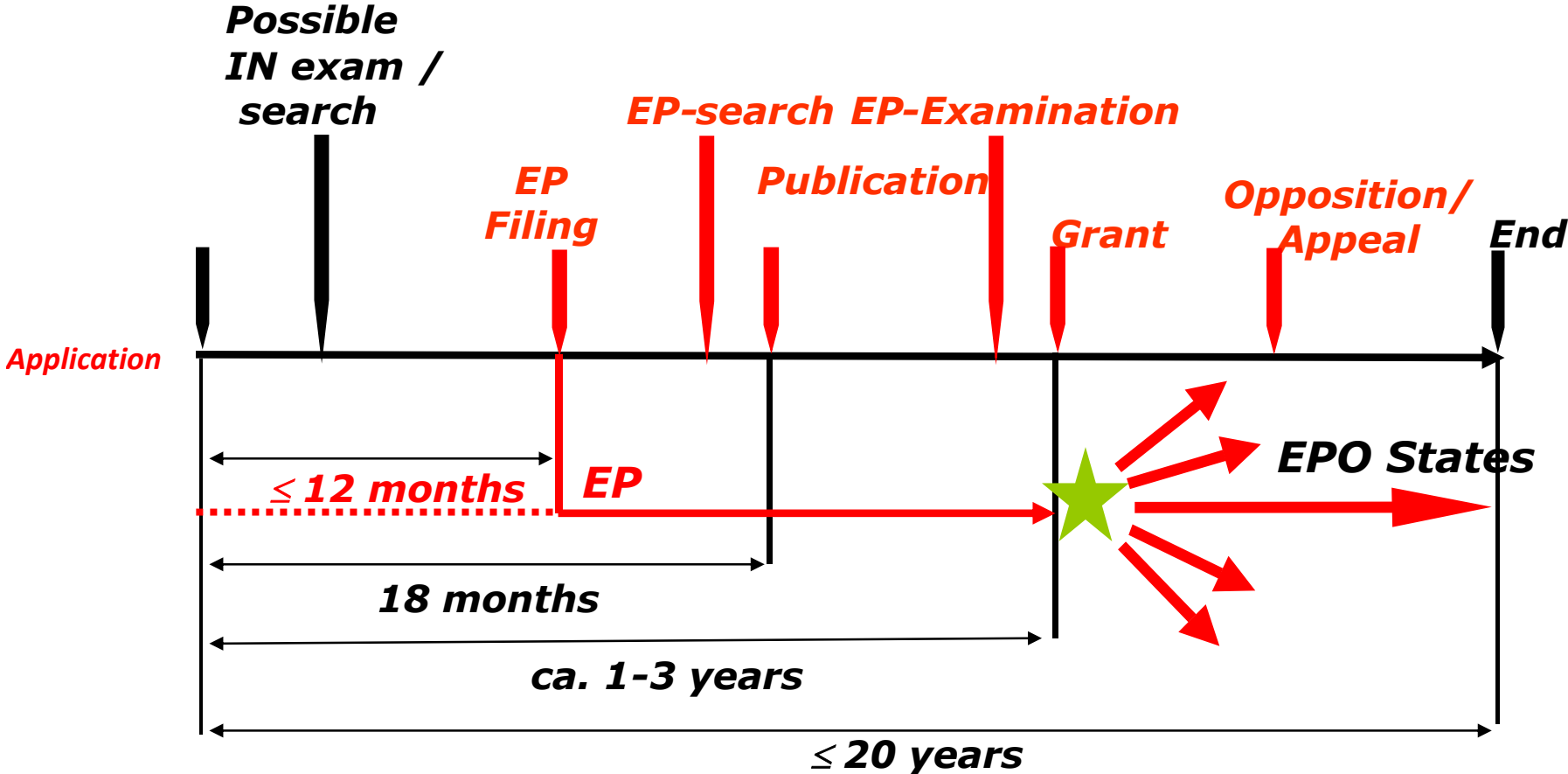
A European patent application consists of (Article 78 EPC)

- **Request for grant (Rule 41 EPC)**
- **Description of the invention (Rule 42 EPC)**
- **At least one claim (Rule 44 EPC) - although no longer needed initially**
- **Abstract (Rule 47 EPC)**
- **Drawings (Rule 46 EPC)**

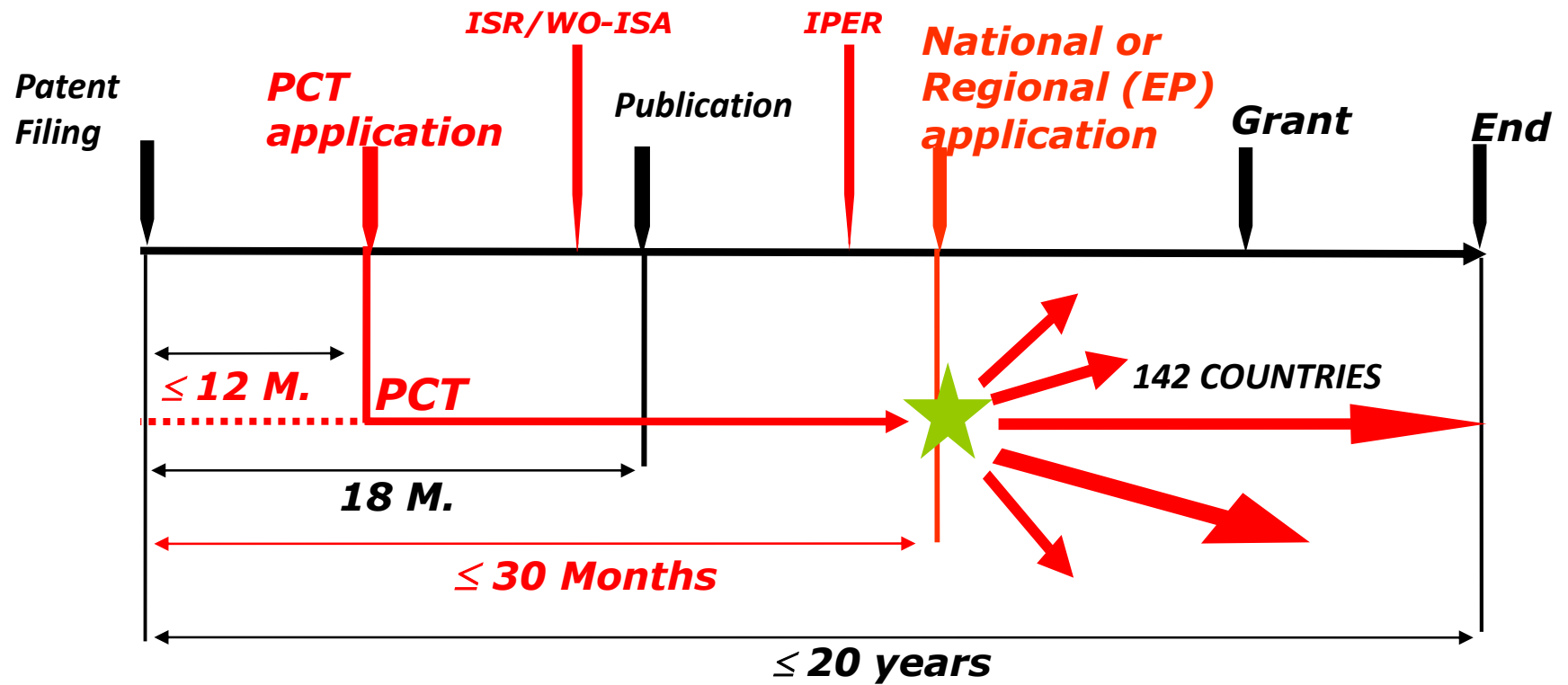
		Europäisches Patentamt European Patent Office Office européen des brevets	
(19)		(11)	EP 1 022 392 A2
(12)	EUROPEAN PATENT APPLICATION		
(43)	Date of publication: 26.07.2000 Bulletin 2000/30	(51)	Int. Cl. 7: E01F 13/06
(21)	Application number: 99650119.3		
(22)	Date of filing: 20.12.1999		
(84)	Designated Contracting States: AT BE CH CY DE DK ES FI FR GB GR IE IT LI LU MC NL PT SE Designated Extension States: AL LT LV MK RO SI	• Walsh, John Alphonsus Walkinstown, Dublin 12 (IE) • Higgins, Rory John St. Margarets, County Dublin (IE)	(74) Representative: Weldon, Michael James et al c/o John O'Brien & Associates, Third Floor, Duncairn House, 14 Carysfort Avenue Blackrock, Co. Dublin (IE)
(30)	Priority: 21.01.1999 IE 990047		
(71)	Applicant: Electro Automation Research (EAR) Limited Walkinstown, Dublin 12 (IE)		
(72)	Inventors: • Doherty, Patrick Rathgar, Dublin 6 (IE)		
(54)	A barrier		
(57)	A barrier (1) has a base unit (2) which is secured to the ground and a top unit (3) which may be connected at any one of four different orientations. An electronic controller (6) is mounted in a door (5) of the base unit (2) so that it may be easily accessed. A drive mechanism (35) is mounted in a modular manner in the top unit (3). It is mounted by virtue of a beam drive shaft (21) which is mounted by bearings (22) at each end to opposed side walls (20) of the top unit (3). The beam is connected to the drive shaft (21) in a symmetrical manner so that the barrier may be used for either the right side or the left side of a laneway. There is excellent support and balance in the drive mechanism because it is connected between support bearings of the beam drive shaft (21). A manual override is provided to release a clutch if an electrical fault arises. The beam has a shear plate (27) which yields to minimise damage to either the drive mechanism or a beam arm (30) in the event of an accidental impact against the beam.		
			
		Fig. 1	
		Printed by: Basco, 76001 19488 G 19	

EP 1 022 392 A2

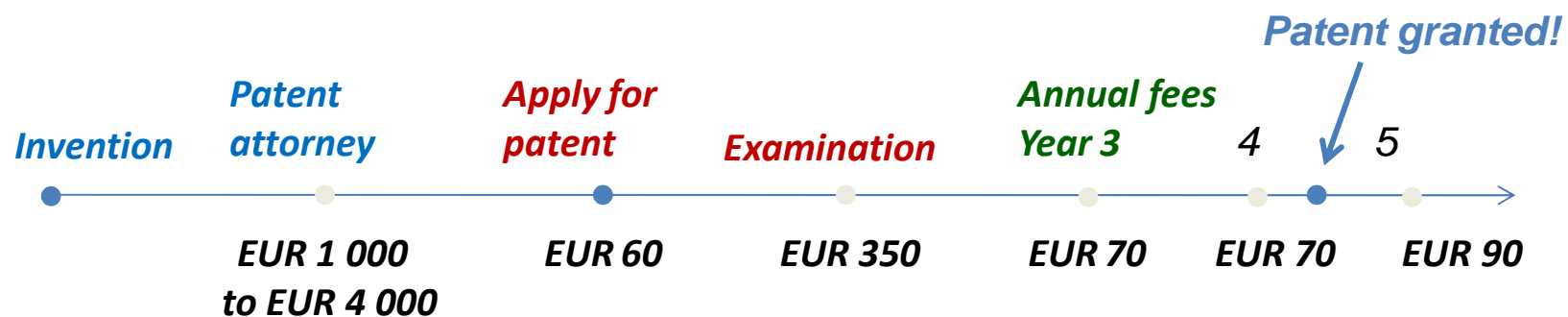
EUROPEAN DIRECT ROUTE



PCT ROUTE TO EPO PATENT



COST OF A NATIONAL PATENT APPLICATION EXAMPLE: GERMANY



Total: EUR 1700 - EUR 5100

(depending on complexity of patent and extent of applicant's preparation!)

COST OF A EUROPEAN PATENT

Protection in (e.g.):

Germany

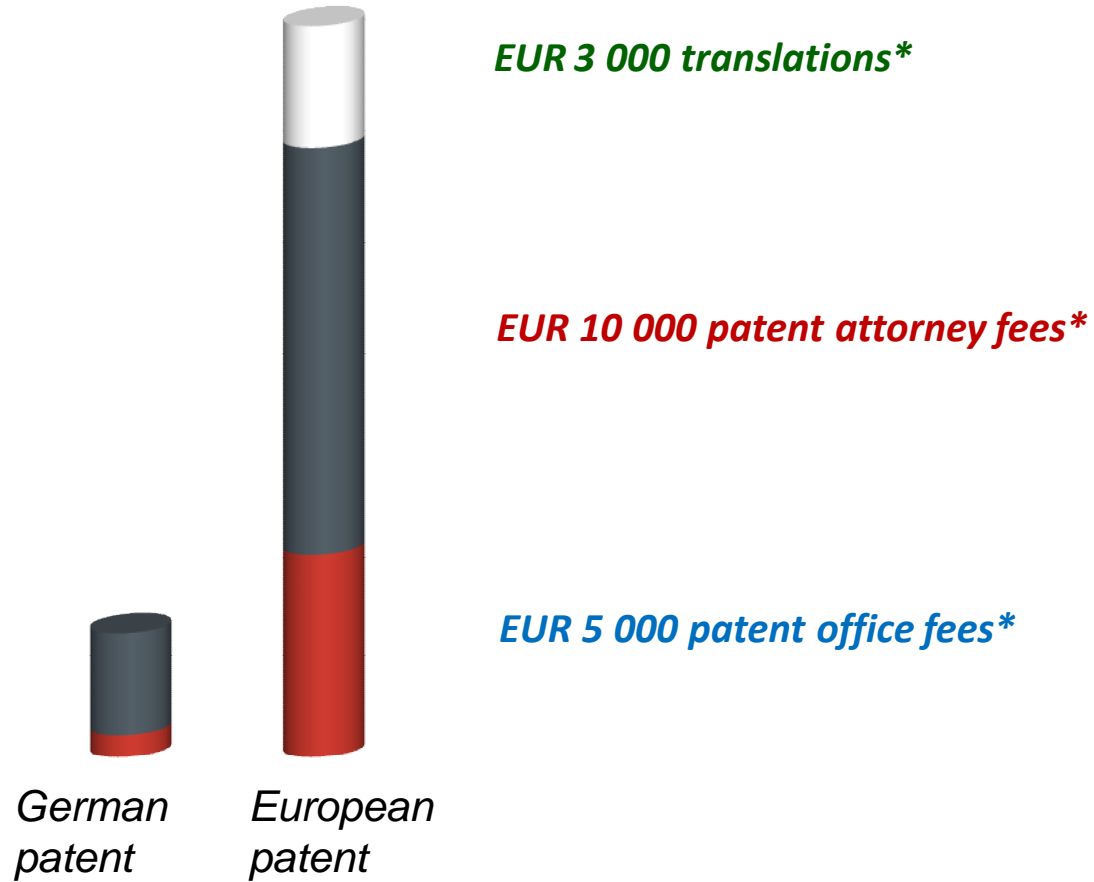
United Kingdom

France

Italy

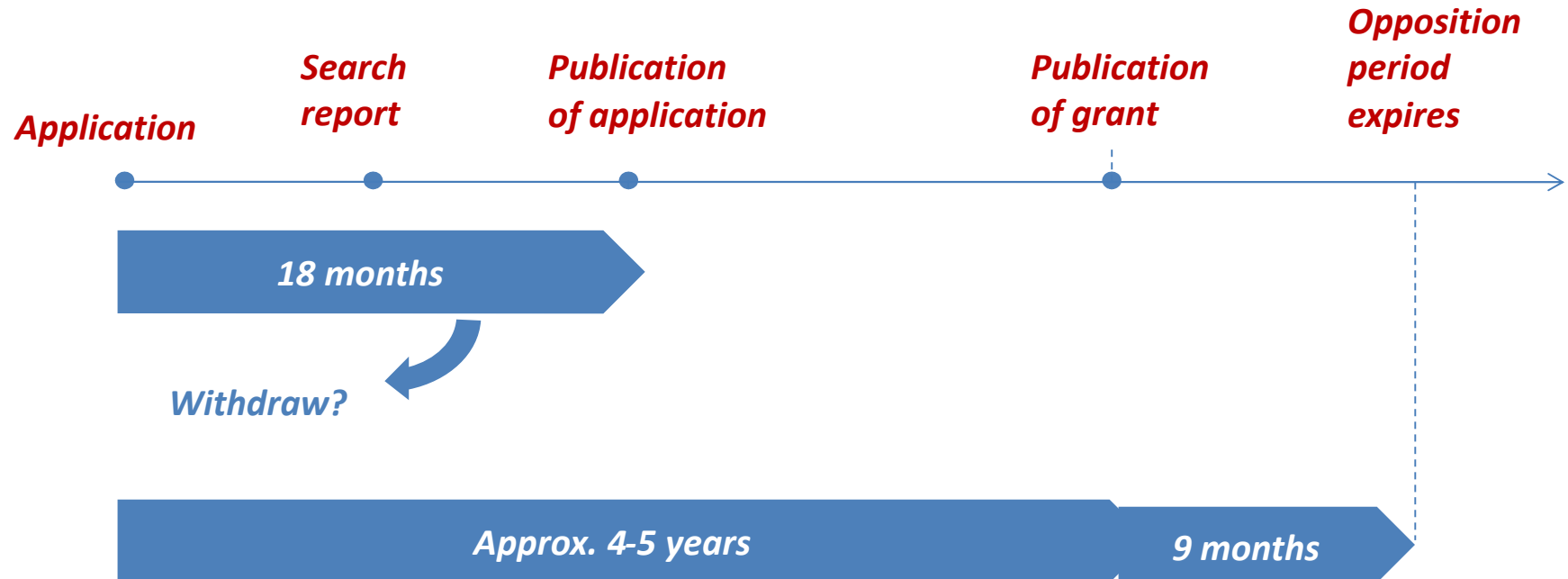
Spain

Switzerland

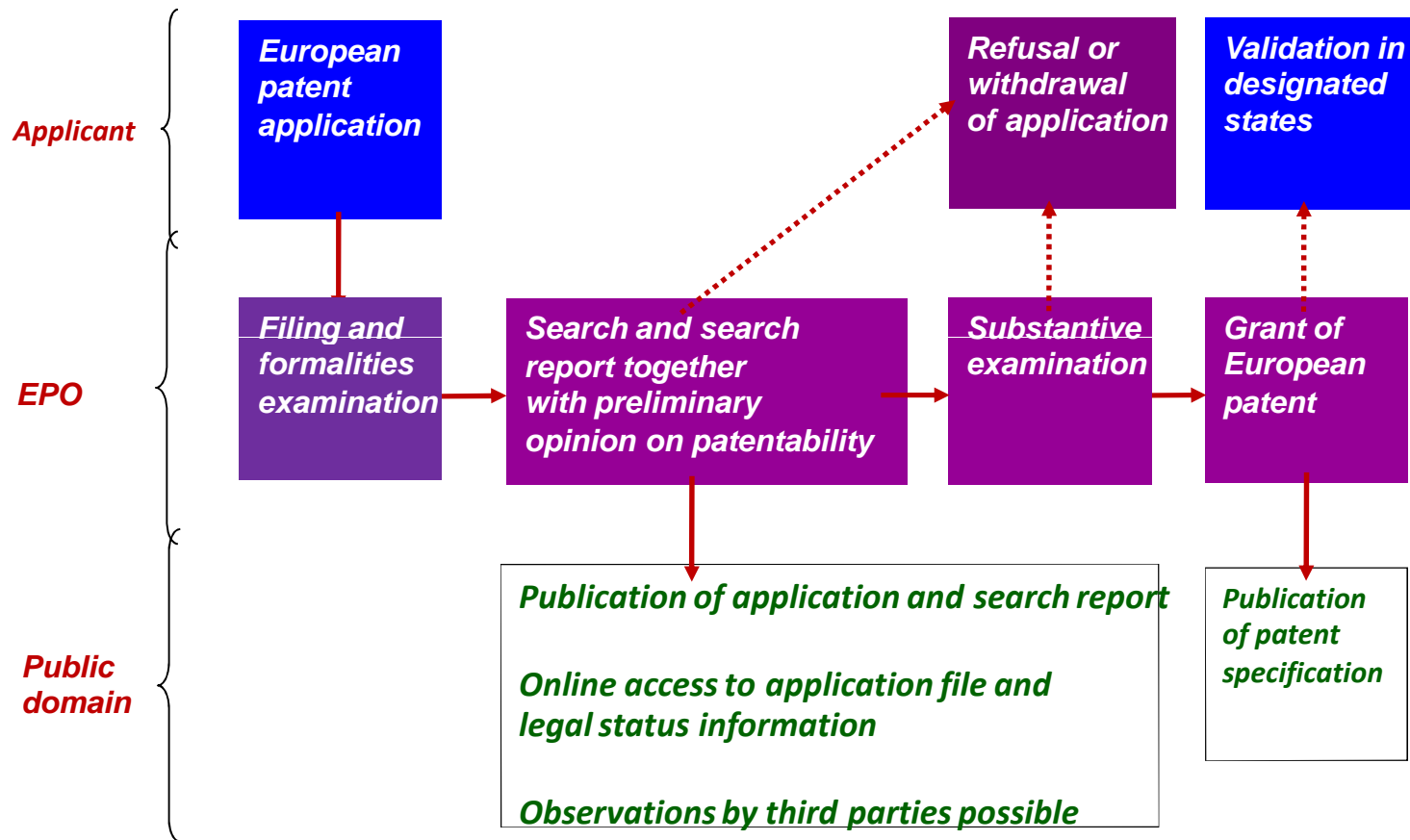


**** Estimated cost. Actual cost depends very much on the specifics of the individual case.***

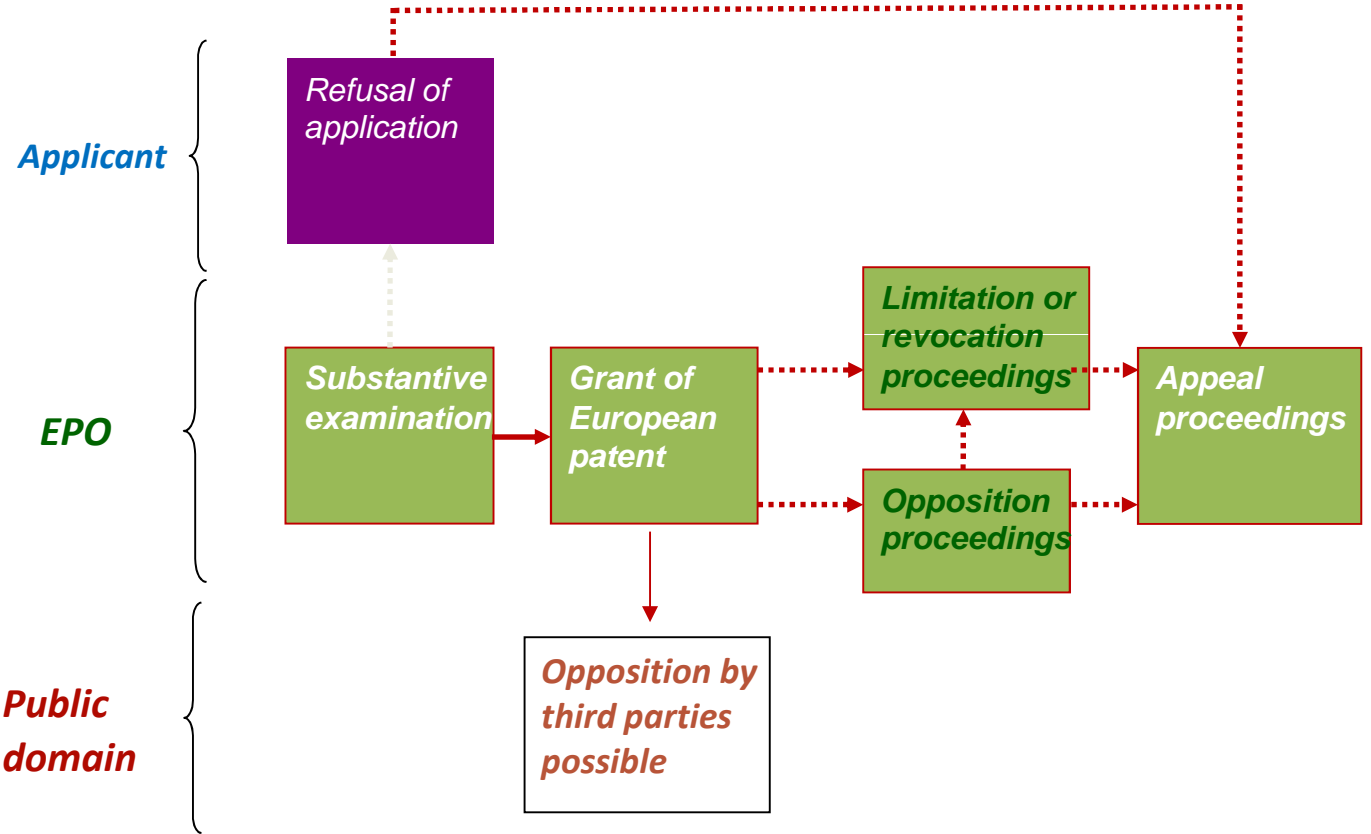
PATENT PROCEDURE AT EPO



EUROPEAN PATENT GRANT PROCEDURE (I)



EUROPEAN PATENT GRANT PROCEDURE (2)



Esp@cenet

Espacenet offers free access to more than 70 million patent documents worldwide, containing information about inventions and technical developments from 1836 to today.

Access Espacenet at the EPO

Search the EPO's databases in German, English and French

Access Espacenet at the European Commission

Search the EPO's databases in German, English and French

Access Espacenet at national and regional offices

Search using an interface in your language

Esp@cenet

<http://worldwide.espacenet.com>

Europäisches Patentamt
European Patent Office
Office européen des brevets

English Deutsch Français
Contact
Change country ▼

Espacenet
Patent search

← About Espacenet Other EPO online services ▼

Search Result list My patents list (0) Query history Settings Help

SmartSearch
Quick search
Advanced search
Number search
Classification search

Maintenance news -
Scheduled Maintenance
Please note that due to necessary maintenance, there may be a short outage to Espacenet on Wednesday the 9th of March → [read more...](#)
News flashes +
Latest updates +
Local coverage +
Related links +

SmartSearch
SmartSearch: i Siemens EP 2007
Clear SEARCH

Welcome to the new look Espacenet.

Numerically, this is actually version 5 but we don't really know what happened to version 4! Although it looks radically different, Espacenet v.5 delivers the same quality document search service as its predecessor. You'll see that the user interface has been completely redesigned, but this is more than just a cosmetic face-lift. We've also taken the chance to improve the lay-out, usability, ergonomics, and navigation, using contemporary design criteria, in consultation with the user community. You'll also notice the new look Espacenet logo

But new functions and features haven't been forgotten either. In v.5 first release we've included an export-to-Excel function, RSS feeds, breadcrumb navigation, query history, amongst others. These features have been developed and implemented after collecting feedback from you, the users, as always.

For a limited period, v.5 Espacenet will run in parallel with the legacy systems at ep.espacenet.com and v3.espacenet.com, to enable users to become familiar with the new Espacenet v.5. However we expect to turn off the legacy systems in one or two months' time. We recommend that you bookmark the new URLs now. If you're one of the 90% of Espacenet users who access the service directly: <http://worldwide.espacenet.com/> is the URL to remember.

National offices will gradually adopt and customise the new GUI for their own Espacenet instances.

We hope you enjoy searching with the new Espacenet v.5. We thrive on feedback and we'd like to hear yours - tell us what you think about the new Espacenet GUI.

Write to Espacenet@epo.org

We're waiting to hear from you.

*For most patent searches,
the SmartSearch is the best option.*

*Further search options are
available on the left-hand side of the screen.*

Esp@cenet

European Patent Office
Espacenet
Patent search

English Deutsch Français
Contact
Change country

About Espacenet Other EPO online services

Search Result list My patents list (0) Query history Settings Help

Search → Results page 1

SmartSearch
Quick search
Advanced search
Number search
Classification search

Quick help

- Can I subscribe to an RSS feed of the result list?
- What does RSS reader do with the result list?
- Can I export the result list?
- What happens if I click on "Download covers"?
- Why is the number of results sometimes approximate?
- Why is the list limited to 500 results?
- Why could it be that a certain patent document is not displayed in the results list?
- Can I sort the result list?
- Why do I sometimes get results having a title which is not in English?
- What happens if I click on the star icon?
- What is an XP document?

Related links

Result list

Select all Compact Export (CSV | XLS) Download covers (0) Print

Approximately 153 results found in the Worldwide database for:
txt = backpack and num = EP using SmartSearch

Sort by: Upload date Sort order: Descending Sort

Document Title	Inventor	Applicant	EC	IPC	Publication info	Priority date
1. Backpack cartridge for a switch	KEMNA PATRICK [CH] KOLL STEPHAN [CH]	BIRCHER REGLOMAT AG [CH]	H01H3/24 H01H7/10/283	H01H3/24 H01H7/10/2	EP 2287867 (A2) 2011-02-23	2009-08-18
2. Backpack for carrying elongated objects	BOLLARD JEAN-YVES [FR]	SALOMON SAS [FR]	A45C15/00 A45F3/04 (+1)	A45C15/00 A45F3/04 A45F5/00 (+1)	EP 2274999 (A1) 2011-01-19	2009-07-10
3. Rucksack such as a hydration rucksack	CHAPUIS SERGE [FR]	SALOMON SAS [FR]	A45E3/04 A45E3/14	A41D13/00 A45F3/04 A45F3/14	EP 2258234 (A1) 2010-12-08	2009-06-05
4. Backpack with balanced shoulder strap system	TERRY PAUL [US]	BLACK DIAMOND EQUIPMENT	A45E3/08	A45F3/14	EP 2233036 (A1) 2009-06-23	2008-03-24

Just click on the title of a document to see more detailed information about it.

Click on the ★ if you want to add a document to your "My patents list", for easy, one-click retrieval at a later date.

EUROPEAN PATENT ACADEMY

<http://www.epo.org/about-us/office/academy.html>

- *The European Patent Academy ensures the overall co-ordination of the external education and training activities of the European Patent Office.*

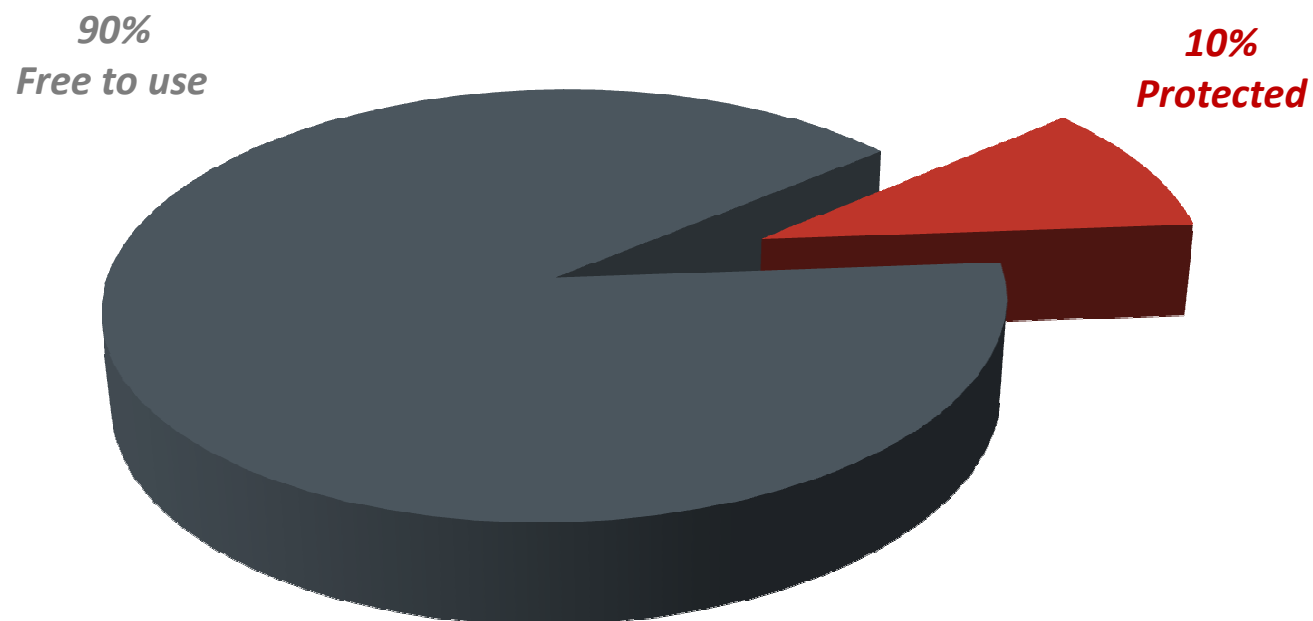
- *The mandate of the European Patent Academy, based at the European Patent Office in Munich, reflects the need to improve patent-related intellectual property training and education structures in Europe.*

- *The open-access section of the e-learning platform of the European Patent Academy provides a variety of modules relating to a wide range of patent-related topics free of charge.*

These are organised according to contents:

- a) Tutorials: help in the use of some tools, like on-line filing of applications, esp@cenet for the search of patent documentation, the Guide for applicants and Patent information tour.*
- b) Patent Knowledge: in this section modules related to the legal frame of the European procedure, recent changes, search topics and particular substantive examination topics are to be found.*
- c) IP, innovation and business: this section deals with managing IP for business and patent portfolio.*
- d) Events: recorded lectures on different topics stemming from latest seminars organised by the European Patent Academy*

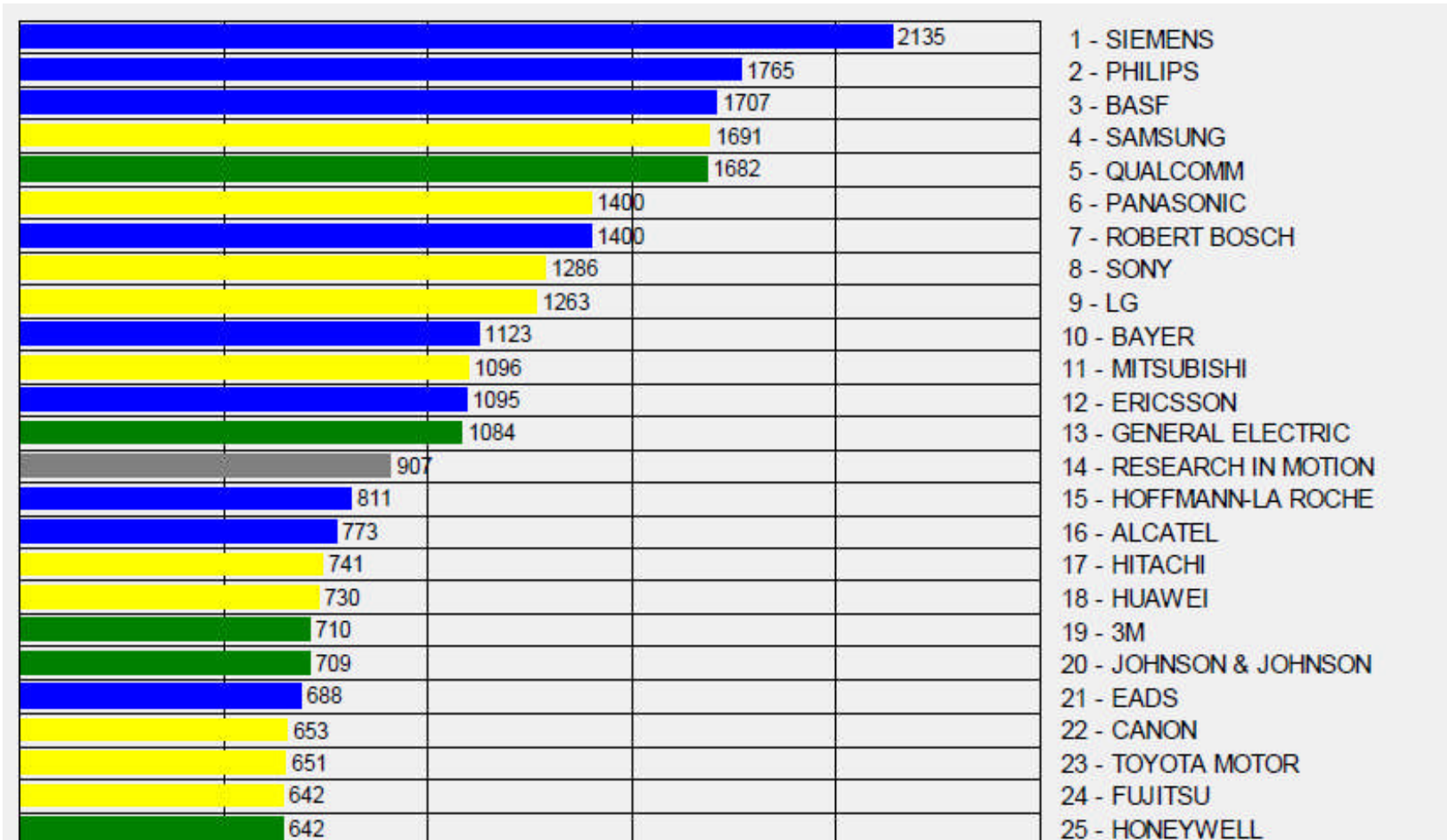
SOLUTIONS FOUND IN PATENT DOCUMENTS



25 % of all R&D efforts are wasted each year on inventions that have already been invented !

Don't start your R&D until you have done a search!

EUROPEAN COMPANIES TOP THE LIST



FIELDS OF TECHNOLOGY

FIELD OF TECHNOLOGY	2008 Number	2009 Number	2009 Growth on 2008	2010 Number	2010 Growth on 2009	2010 Growth on 2008
Medical technology	9716	9893	1,8%	10479	5,9%	7,9%
Computer technology	9198	8013	-12,9%	8257	3,0%	-10,2%
Electrical machinery, apparatus, energy	8121	7782	-4,2%	8241	5,9%	1,5%
Digital communication	6362	7151	12,4%	7951	11,2%	25,0%
Biotechnology	5 583	5 214	-6,6%	7 435	42,6%	33,2%
Organic fine chemistry	7 480	7 046	-5,8%	7 269	3,2%	-2,8%
Pharmaceuticals	6 149	5 546	-9,8%	6 654	20,0%	8,2%
Measurement	6912	6026	-12,8%	6239	3,5%	-9,7%
Transport	6823	6018	-11,8%	5869	-2,5%	-14,0%
Telecommunications	7253	5615	-22,6%	5687	1,3%	-21,6%
Other fields	72 668	66 253	-8,8%	76 880	16,0%	5,8%
Total	146265	134557	-8,0%	150961	12,2%	3,2%

TOP 15 EUROPEAN APPLICANT COMPANIES

2135	SIEMENS (1)
1765	PHILIPS (2)
1707	BASF (3)
1400	ROBERT BOSCH (7)
1123	BAYER (10)
1095	ERICSSON (12)
811	HOFFMANN-LA ROCHE (15)
773	ALCATEL (16)
688	EADS (21)
630	NOVARTIS (27)
610	BSH (28)
548	NXP (30)
514	ABB (37)
507	SANOFI-AVENTIS (33)
465	NOKIA (38)

EPO STATISTICS (Number of patents, April 2011)

Origin of filings	2008 Number	2009 Number	Growth on 2008	2010 Number	Growth on 2009	Growth on 2008
Germany	33 412	30 501	-9%	33 139	9%	-1%
France	11 513	11 605	1%	11 692	1%	2%
Switzerland	7 100	6 931	-2%	7 874	14%	11%
United Kingdom	7 200	6 570	-9%	7 155	9%	-1%
Netherlands	8 328	7 944	-5%	7 119	-10%	-15%
Other EPC states	25 780	23 982	-7%	25 574	7%	-1%
EPC states (total)	93 333	87 533	-6%	92 553	6%	-1%
<i>EU-27</i>	<i>84 254</i>	<i>78 954</i>	<i>-6%</i>	<i>82 828</i>	<i>5%</i>	<i>-2%</i>
U.S.	61 209	53 910	-12%	60 588	12%	-1%
Japan	39 676	38 275	-4%	41 917	10%	6%
China	6 490	8 272	27%	12 698	54%	96%
Korea	10 251	10 215	0%	12 342	21%	20%
Other states	15 012	13 139	-12%	14 931	14%	-1%
Total	225 971	211 344	-6%	235 029	11%	4%